

MULTI-PURPOSE MIRRORS

2 DIRECTIONS

CODE

- > ● 516
- > ● B 516
- > ● R 516
- > ● V 516



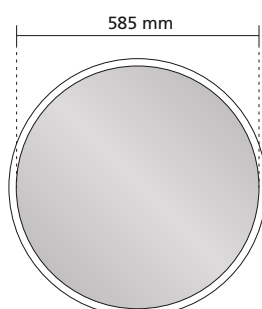
TECHNICAL SPECIFICATIONS

- > Lens: Polymir® - Ø 585 mm
- > Frame: white (516), black (B 516), red (R 516) or green (V 516)
- > Packaging dimensions: 630x95x640 mm
- > Gross weight: 4.2 kg
- > Angle of convexity: for a field of vision of approximately 90° used at junctions where users are coming from 2 different directions
- > Maximum viewing distance between the mirror and viewer: approx 11 m
- > Fixing kit supplied
- > Full guarantee (mirror, frame and fixings)*
- > Manufactured in France
- > 100% recyclable

OPTIONAL

- > Optional: anti-frost and anti-condensation system (code CH) obtained from a self-regulating heating film 220 V/50-100 W. Factory fitted. Fuse box not supplied

DIMENSIONS

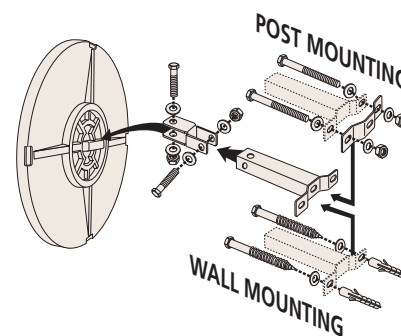


GUARANTEES

- > Unbreakable
- > Light
- > Unalterable
- > Shock resistant
- > Anti-UV treated
- > 3 year guarantee



FIXING KIT DIAGRAM



Supplied complete with bolts and brackets kit, adaptable for walls or for posts 60 to 90mm in diameter. Kit is robust, tested to withstand winds of up to 183km/h. Easy to install, allowing precise adjustment of the position of the mirror.

RECOMMENDED POST INSTALLATION

