

DRIVEWAY EXIT MIRRORS



WIDE ANGLE DRIVEWAY MIRRORS

PRODUCT CODE

P.A.S.® optics ▶ Code 6000

GUARANTEE



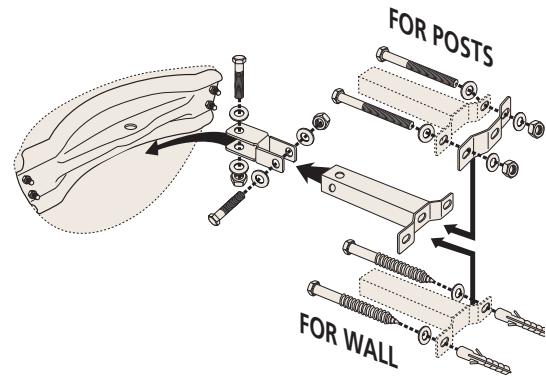
> Unbreakable > Light > Unalterable
> 5 year guarantee.



TECHNICAL SPECIFICATION

- > Lens: PAS optics
- > Packaging dimensions: 660 x 180 x 370 mm
- > Gross weight: 3.2 kg
- > Angle of convexity: for a field of vision of approximately 180°
- > Maximum distance between the mirror and viewer: approx. 6 m
- > Fixing kit supplied
- > Full guarantee (mirror, back and fixings)*
- > Manufactured in France
- > 100% recyclable

FIXING KIT DIAGRAM



DIMENSIONS

