

## WITH BLACK, GREEN OR RED FRAMES P.A.S® OPTICS



### PRODUCT CODE

OPTICS	BLACK FRAME PRODUCT CODE	GREEN FRAME PRODUCT CODE	RED FRAME PRODUCT CODE
Ø 300 mm	<b>913</b>	-	-
Ø 400 mm	<b>B 914</b>	<b>V 914</b>	<b>R 914</b>
Ø 500 mm	<b>B 915</b>	<b>V 915</b>	<b>R 915</b>
600 x 400 mm	<b>B 926</b>	<b>V 926</b>	<b>R 926</b>
Ø 600 mm	<b>B 916</b>	<b>V 916</b>	<b>R 916</b>
Ø 800 mm	<b>B 918</b>	<b>V 918</b>	<b>R 918</b>

### WARRANTY

> Full warranty (optic, frame and fixings)\*

**P.A.S®** > Unbreakable > Light > Unalterable > Shock resistant  
**5 Years** > Anti-UV treated > Anti-static, Anti-scratch treatment  
 warranty > 5 year warranty

### TECHNICAL SPECIFICATION

BLACK FRAME PRODUCT CODE	GREEN FRAME PRODUCT CODE	RED FRAME PRODUCT CODE	MAXIMUM VIEWING DISTANCE	GROSS WEIGHT (kg)	PACKAGING DIMENSIONS (mm)
<b>913</b>	-	-	3 metres	1.2	310 x 65 x 320
<b>B 914</b>	<b>V 914</b>	<b>R 914</b>	5 metres	2.5	460 x 90 x 440
<b>B 915</b>	<b>V 915</b>	<b>R 915</b>	7 metres	3.5	560 x 100 x 540
<b>B 926</b>	<b>V 926</b>	<b>R 926</b>	9 metres	4.0	770 x 140 x 780
<b>B 916</b>	<b>V 916</b>	<b>R 916</b>	11 metres	4.2	630 x 95 x 640
<b>B 918</b>	<b>V 918</b>	<b>R 918</b>	20 metres	6,9	830 x 80 x 850

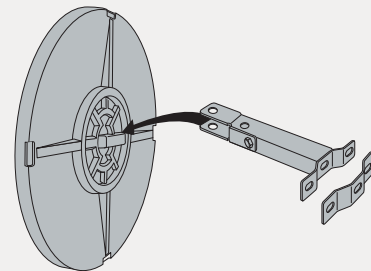
> The thermoplastic resin frame is treated and tested against UV to avoid cracking and yellowing  
 Ref 513 is without a frame and is equipped with a black joint & black rear

> P.A.S® optics: high quality, clear and sharp image, with no distortion  
 > Angle of convexity: for a field of vision of approximately 90° used at junctions where users are coming from 2 different directions  
 > Fixing kit supplied  
 > Manufactured in France

### OPTION

> Anti-frost and anti-condensation system (excluding Ø 300, Ø 400 and Ø 500 mm): self-regulating heating film 220 V/50-100 W (Code CH).  
 Factory fitted. Fuse box not supplied

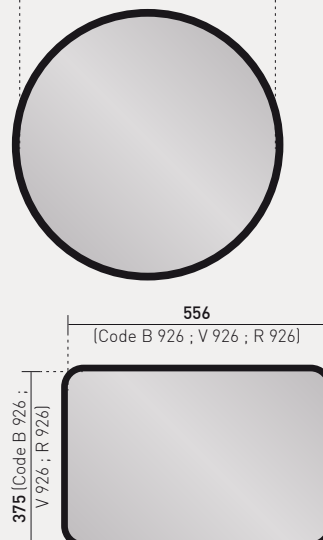
### INSTALLATION



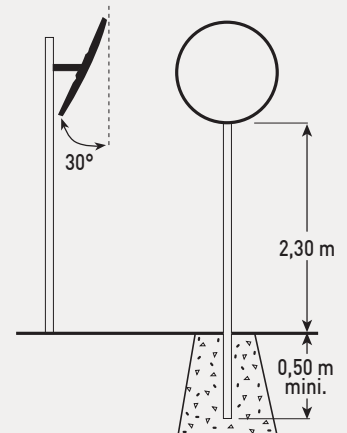
> Multi-purpose mirrors are supplied with fully adjustable bolts and galvanised steel bracket kit for wall or post from 60 to 90mm in diameter  
 > The kit allows the optimum orientation to be easily achieved  
 > **The kit is robust and tested to withstand winds of up to 183 km/h**

### DIMENSIONS

300 [Code 913]  
 385 [Code B 914 ; V 914 ; R 914]  
 485 [Code B 915 ; V 915 ; R 915]  
 585 [Code B 916 ; V 916 ; R 916]  
 762 [Code B 918 ; V 918 ; R 918]



### RECOMMENDED INSTALLATION ON POST



## WITH BLACK, GREEN OR RED FRAMES POLYMir® OPTICS



### PRODUCT CODE

OPTICS	BLACK FRAME PRODUCT CODE	GREEN FRAME PRODUCT CODE	RED FRAME PRODUCT CODE
Ø 300 mm	<b>513</b>	-	-
Ø 400 mm	<b>B 514</b>	<b>V 514</b>	<b>R 514</b>
Ø 500 mm	<b>B 515</b>	<b>V 515</b>	<b>R 515</b>
600 x 400 mm	<b>B 524</b>	<b>V 524</b>	<b>R 524</b>
Ø 600 mm	<b>B 516</b>	<b>V 516</b>	<b>R 516</b>
Ø 800 mm	<b>B 518</b>	<b>V 518</b>	<b>R 518</b>

### WARRANTY

> Full warranty (optic, frame and fixings)\*



> Unbreakable > Light > Unalterable > Shock resistant  
> Anti-UV treated > 3 year warranty

### TECHNICAL SPECIFICATION

BLACK FRAME PRODUCT CODE	GREEN FRAME PRODUCT CODE	RED FRAME PRODUCT CODE	MAXIMUM VIEWING DISTANCE	GROSS WEIGHT (kg)	PACKAGING DIMENSIONS (mm)
<b>513</b>	-	-	3 metres	1.2	310 x 65 x 320
<b>B 514</b>	<b>V 514</b>	<b>R 514</b>	5 metres	2.5	460 x 90 x 440
<b>B 515</b>	<b>V 515</b>	<b>R 515</b>	7 metres	3.5	560 x 100 x 540
<b>B 524</b>	<b>V 524</b>	<b>R 524</b>	9 metres	4.0	770 x 140 x 780
<b>B 516</b>	<b>V 516</b>	<b>R 516</b>	11 metres	4.2	630 x 95 x 640
<b>B 518</b>	<b>V 518</b>	<b>R 518</b>	20 metres	6,9	830 x 80 x 850

> The thermoplastic resin frame is treated and tested against UV to avoid cracking and yellowing

Ref 513 is without a frame and is equipped with a black joint & black rear

> Polymir® optics: high quality, clear and sharp image, with no distortion

> Angle of convexity: for a field of vision of approximately 90° used at junctions where users are coming from 2 different directions

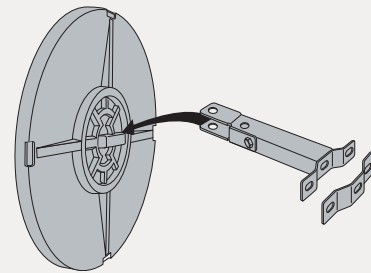
> Fixing kit supplied

> Manufactured in France

### OPTION

> Anti-frost and anti-condensation system (excluding Ø 300, Ø 400 and Ø 500 mm): self-regulating heating film 220 V/50-100 W (Code CH).  
Factory fitted. Fuse box not supplied

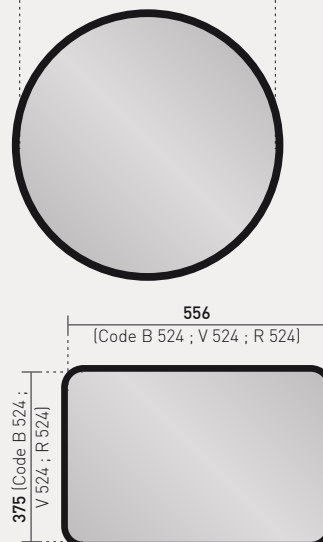
### INSTALLATION



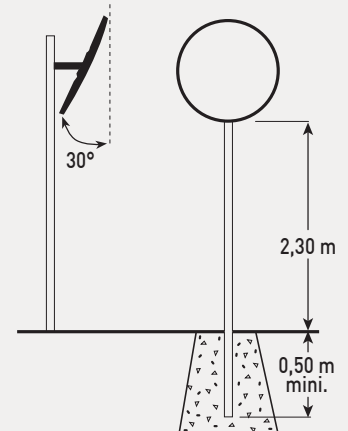
- > Multi-purpose mirrors are supplied with fully adjustable bolts and galvanised steel bracket kit for wall or post from 60 to 90mm in diameter
- > The kit allows the optimum orientation to be easily achieved
- > **The kit is robust and tested to withstand winds of up to 183 km/h**

### DIMENSIONS

300 [Code 513]
385 [Code B 514 ; V 514 ; R 514]
485 [Code B 515 ; V 515 ; R 515]
585 [Code B 516 ; V 516 ; R 516]
762 [Code B 518 ; V 518 ; R 518]



### RECOMMENDED INSTALLATION ON POST



## WITH WHITE FRAMES - 2 DIRECTIONS P.A.S® OPTICS



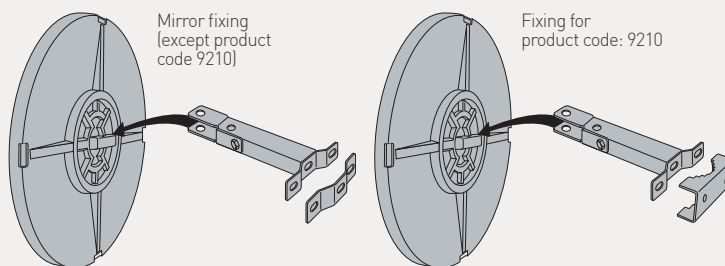
### PRODUCT CODE

OPTICS	PRODUCT CODE
Ø 400 mm	<b>914</b>
Ø 500 mm	<b>915</b>
600 x 400 mm	<b>926</b>
Ø 600 mm	<b>916</b>
Ø 700 mm	<b>917</b>
800 x 600 mm	<b>928</b>
Ø 800 mm	<b>918</b>
1000 x 800 mm	<b>9210</b>

### OPTION

- > Anti-frost and anti-condensation system (excluding Ø 400 and Ø 500 mm): self-regulating heating film 220 V/50-100 W (Code CH).  
Factory fitted.  
Fuse box not supplied

### INSTALLATION



- > Multi-purpose mirrors are supplied with fully adjustable bolts and galvanised steel bracket kit for wall or post from 60 to 90mm in diameter
- > The kit allows the optimum orientation to be easily achieved
- > The kit is robust and tested to withstand winds of up to 183 km/h

### WARRANTY

- > Full warranty (optic, frame and fixings)\*

**P.A.S®** 5 years warranty

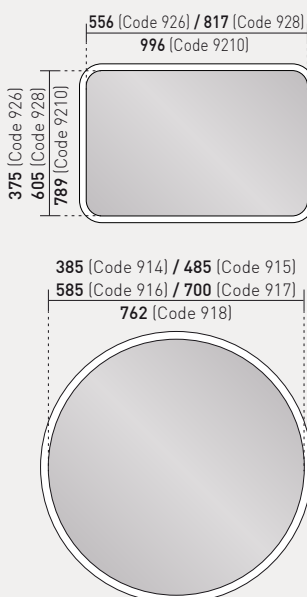
- > Unbreakable > Light > Unalterable > Shock resistant
- > Anti-UV treated > Anti-static, Anti-scratch treatment
- > 5 year warranty

### TECHNICAL SPECIFICATION

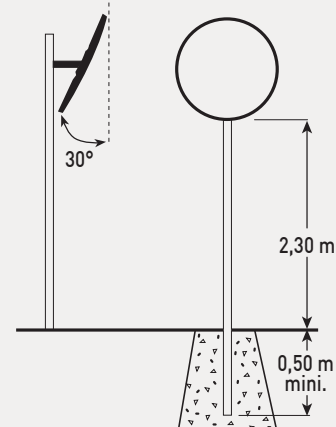
PRODUCT CODE	MAXIMUM VIEWING DISTANCE	GROSS WEIGHT (kg)	PACKAGING DIMENSIONS (mm)
<b>914</b>	5 metres	2.5	460 x 90 x 440
<b>915</b>	7 metres	3.4	560 x 100 x 540
<b>926</b>	9 metres	4.0	770 x 140 x 780
<b>916</b>	11 metres	4.2	630 x 95 x 640
<b>917</b>	15 metres	6.3	830 x 80 x 850
<b>928</b>	20 metres	8.1	990 x 140 x 800
<b>918</b>	20 metres	6.9	830 x 80 x 850
<b>9210</b>	30 metres	10.7	990 x 130 x 1225

- > The thermoplastic resin frame is treated and tested against UV to avoid cracking and yellowing
- > P.A.S® optics: high quality, clear and sharp image, with no distortion
- > Angle of convexity: for a field of vision of approximately 90° used at junctions where users are coming from 2 different directions
- > Fixing kit supplied
- > Manufactured in France

### DIMENSIONS



### RECOMMENDED INSTALLATION ON POST







## WITH WHITE FRAMES - 2 directions POLYMI<sup>®</sup> OPTICS



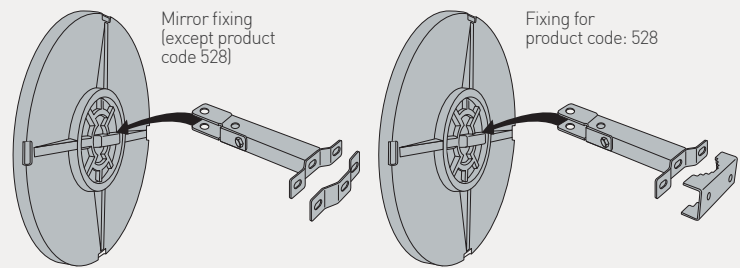
### PRODUCT CODE

OPTICS	PRODUCT CODE
Ø 400 mm	<b>514</b>
Ø 500 mm	<b>515</b>
600 x 400 mm	<b>524</b>
Ø 600 mm	<b>516</b>
Ø 700 mm	<b>517</b>
800 x 600 mm	<b>526</b>
Ø 800 mm	<b>518</b>
1000 x 800 mm	<b>528</b>

### OPTION

- > Anti-frost and anti-condensation system (excluding Ø 400 and Ø 500 mm): self-regulating heating film 220 V/50-100 W (Code CH).  
Factory fitted.  
Fuse box not supplied

### INSTALLATION



- > Multi-purpose mirrors are supplied with fully adjustable bolts and galvanised steel bracket kit for wall or post from 60 to 90mm in diameter
- > The kit allows the optimum orientation to be easily achieved
- > The kit is robust and tested to withstand winds of up to 183 km/h

### WARRANTY

- > Full warranty (optic, frame and fixings)\*

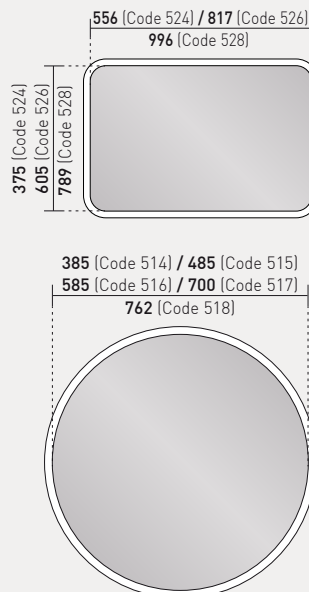
**Polymir** 3 years warranty  
 > Unbreakable > Light > Unalterable > Shock resistant  
 > Anti-UV treated > 3 year warranty

### TECHNICAL SPECIFICATION

PRODUCT CODE	MAXIMUM VIEWING DISTANCE	GROSS WEIGHT (kg)	PACKAGING DIMENSIONS (mm)
<b>514</b>	5 metres	2.5	460 x 90 x 440
<b>515</b>	7 metres	3.4	560 x 100 x 540
<b>524</b>	9 metres	4.0	770 x 140 x 780
<b>516</b>	11 metres	4.2	630 x 95 x 640
<b>517</b>	15 metres	6.3	830 x 80 x 850
<b>526</b>	20 metres	8.1	990 x 140 x 800
<b>518</b>	20 metres	6.9	830 x 80 x 850
<b>528</b>	30 metres	10.7	990 x 130 x 1225

- > The thermoplastic resin frame is treated and tested against UV to avoid cracking and yellowing
- > Polymir<sup>®</sup> optics: high quality, clear and sharp image, with no distortion
- > Angle of convexity: for a field of vision of approximately 90° used at junctions where users are coming from 2 different directions
- > Fixing kit supplied
- > Manufactured in France

### DIMENSIONS



### RECOMMENDED INSTALLATION ON POST

