

# MULTI-PURPOSE MIRRORS

## TO VIEW 2 DIRECTIONS

### CODE

- > ● 514
- > ● B 514
- > ● R 514
- > ● V 514



### GUARANTEES

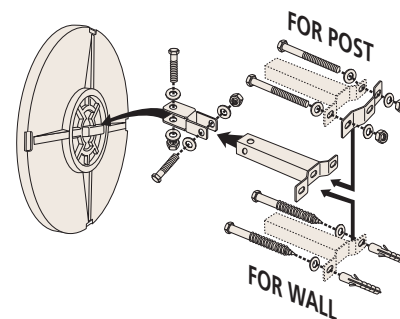
- > Unbreakable
- > Light
- > Unalterable
- > Shock resistant
- > Anti-UV treated
- > 3 year guarantee



### TECHNICAL SPECIFICATIONS

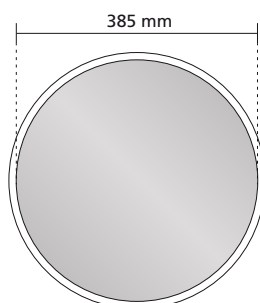
- > Lens: Polymir® - Ø 385 mm
- > Frame: white (514), black (B 514), red (R 514) or green (V 514)
- > Packaging dimensions: 460x90x440mm
- > Gross weight: 2.5 kg
- > Angle of convexity: for a field of vision of approximately 90° used at junctions where users are coming from 2 different directions
- > Maximum viewing distance between the mirror and viewer: approx 5m
- > Fixing kit supplied
- > Full guarantee (mirror, frame and fixings)\*
- > Manufactured in France
- > 100% recyclable

### FIXING KIT DIAGRAM



Supplied complete with bolts and brackets kit, adaptable for walls or for posts 60 to 90mm in diameter. Kit is robust, tested to withstand winds of up to 183km/h. Easy to install, allowing precise adjustment of the position of the mirror.

### DIMENSIONS



### RECOMMENDED INSTALLATION

